

PORTABLE OIL SKIMMER

# Tote-It®



## Enjoy the Benefits of Oil Skimming!

- Tote-It is easily hand carried to the source of the problem
- Most inexpensive way to remove oil from water
- Saves coolants by removing tramp oil
- Conserves parts wash water by removing oily wastes
- Prevents recontamination of parts as they are removed from wash tank
- Prevents plugging of spray heads and filters
- Reduces fluid disposal costs
- Skimmed oil can be recycled and reused as a lubricant or fuel
- Helps meet government requirements for water discharge

## General Description

The Tote-It's patented design is a dependable and effective means of removing free floating oil from water. The single assembly unit can be used in any application where 115 VAC, 60 or 220V, 50 Hz power is available.

The Tote-It utilizes a continuous belt and wiper to remove up to 12 gallons of oil per hour from the fluid surface. The belt operates on a motor and pulley system attached to a stabilizer bar that is immersed in the contaminated liquid. After traveling over the head pulley, the belt passes through tandem wiper blades where oil is scraped off both sides of the belt, and discharged through a 1-1/4 in. ID hose. The tail pulley has flanges which allow it to roll freely on the inside of the belt without becoming dislodged. It does not need to be fastened to the tank.

## The Tote-It Advantages

- Multiple site usage — easily moved from one place to another
- 36 lb., single unit portability
- A single unit elevates and separates oil
- Can be used in tanks as shallow as a few inches
- Requires no tank modifications in most applications
- Maintains skimming efficiency in fluctuating fluid levels
- Easy mounting and fast cleaning, with minimal maintenance



# ABANAKI® OIL SKIMMERS

USA: 17387 Munn Road • Chagrin Falls, Ohio 44023  
(440) 543-7400 • FAX: (440) 543-7404

UK: Avon Business Centre • Woodland Way • Bristol BS15 1AW  
0117 9616679 • FAX: 0117 9616687

[www.abanaki.com](http://www.abanaki.com)

# ABANAKI

## OIL SKIMMERS

Oil skimming makes use of the differences in specific gravity and surface tension between oil and water. These physical characteristics allow the belt to attract oil and other hydrocarbon liquids from the surface of the fluid.

The Tote-It is especially well suited for parts washing and machining center applications. By removing surface oil from a wash tank, the parts will not be recontaminated as they are withdrawn. Removing tramp oil from a coolant tank prevents excessive smoke and fumes due to oil burning during cutting operations. It also reduces bacteria growth in the tank, along with the resulting odor.

### Key Features of the Tote-It

- Small mounting and operating area
- Chip resistant finish
- Customized belt lengths and materials
- Easily mounted on flat surface
- Belt and wipers impervious to oils and fuels
- Weighted and tethered tail pulley
- Fast cleaning with minimal maintenance
- Can be customized to application needs
- Solar powered units available

### Where To Use The Tote-It

The Tote-It is designed for those applications where multiple tanks can take advantage of a single portable unit. It also can be used in permanent installations with limited access areas, such as small parts washers and machining center coolant tanks.

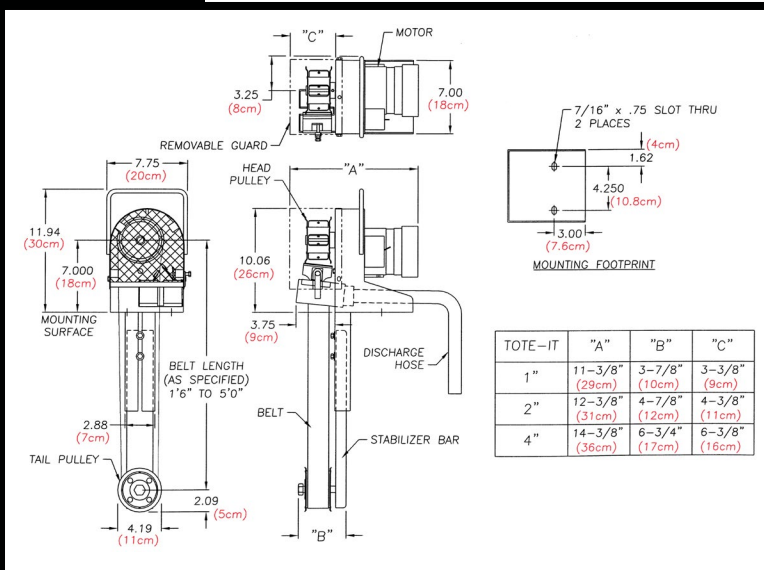
### Typical Applications

- Wastewater sumps
- Parts washers
- Coolant systems
- Heat treating fluids
- Food processing plants
- Parking lots, garages, and service facilities
- Aircraft service areas and tarmac runoff
- Truck, locomotive, and other mobile equipment washing facilities



## Rugged Construction for Harsh Conditions

The Tote-It has been designed to last for many years. Belts are made of corrosion-resistant steel, or a polymer material. A tough power train keeps the Tote-It running under the most severe conditions. With the proper configuration the Tote-It can handle liquid temperatures up to 212°F, and the pH of the fluid can range from 1 to 13.

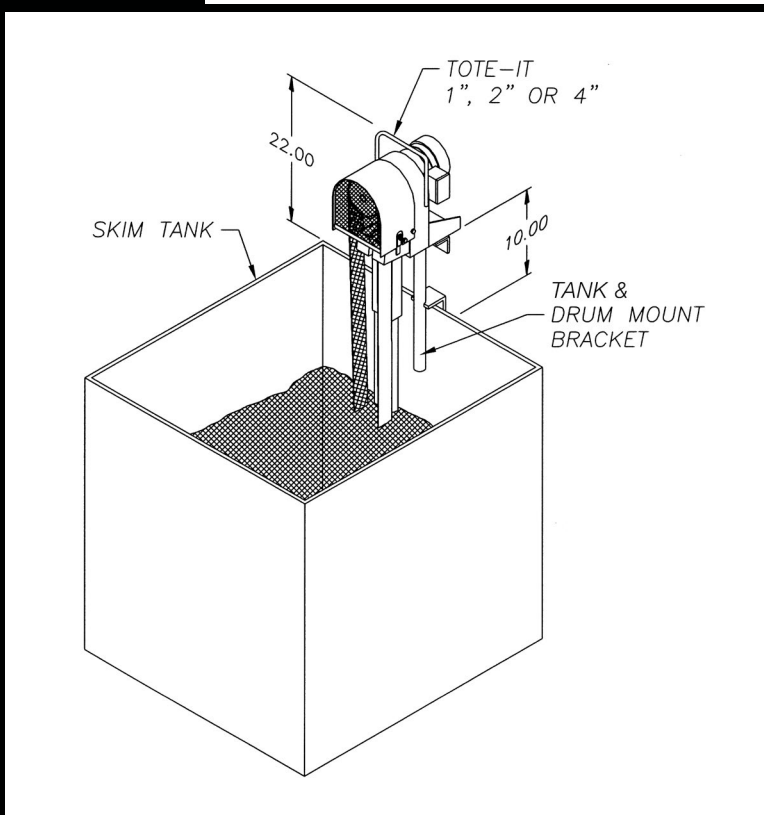


Tote-It Dimensions

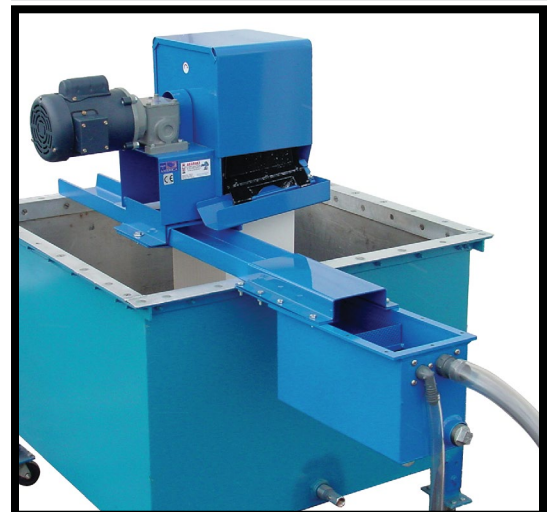
## Abanaki's Oil Concentrators<sup>®</sup>

The Oil Concentrator<sup>®</sup> is an option available on all ABANAKI oil skimmers. Under most operating conditions ABANAKI oil skimmers will pick up oil with less than 5% water. But as surface oil is reduced to a thin layer (1/16 to 1/8 inch thick), more water or coolant may also be picked up along with the oil. When used in tandem with the oil skimmer, an Oil Concentrator will solve this problem, and provides virtually complete oil/water separation, saving money and improving the efficiency of the skimmer.

Based on the principle of gravity separation, the Oil Concentrator uses no electricity, timers, sensors, pumps, or other moving parts. The Oil Concentrator sits behind the skimmer and receives its discharged oil. The unit comes complete with a mounting bracket, removable sludge screen and a drain plug to ease clean up. For higher viscosity oils or low temperature applications, a thermostatically controlled heater is available as an option.



Mounting Detail



# PORTABLE OIL SKIMMER

# Tote-It®

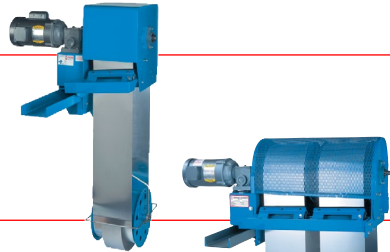
Abanaki has thousands of skimmers installed worldwide at leading companies such as...

- |                            |                                   |                           |
|----------------------------|-----------------------------------|---------------------------|
| American Cyanamid          | Ford Motor                        | New York Power Authority  |
| Armstrong World Industries | General Electric IT Corp.         | Nissan Motor              |
| Bethlehem Steel            | Henry Filters                     | Outboard Marine           |
| Boeing                     | Industrial Environmental Products | TRW                       |
| Bureau of Reclamation      | John Deere                        | United Airlines           |
| Caterpillar                | Kaiser Aluminum                   | US Gypsum                 |
| Chevron                    | Kemron                            | US Repeating Arms         |
| Clean Harbors              | Environmental McLaren Hart        | USS Great Lakes Fleet     |
| Corning                    | Monroe Auto Equipment             | U.S. Army Corp. of Engrs. |
| Dow Chemical               |                                   | Westinghouse Electric     |
| Eaton                      |                                   |                           |
| Flying J                   |                                   |                           |

## Other Oil Skimming Products From Abanaki

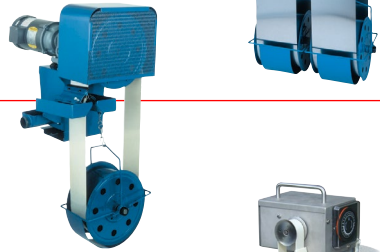
### Model 8<sup>2</sup>

For Most Applications  
Single 8-inch wide belt (20.3 cm)  
Any length belt  
Capacity: 40 GPH (151.4 LPH)



### Model MB<sup>2</sup>

For High Volume  
Two to five 8-inch belts (20.3 cm)  
Any length belts  
Capacity: to 200 GPH (757.1 LPH)



### Model 4<sup>2</sup>

For Mid Volume  
Single 4-inch wide belt (10 cm)  
Any length belt  
Capacity: 20 GPH (75 LPH)



### Mighty Mini<sup>2</sup>

Small Applications (Parts Washers, CNC Machines, 55 Gal. Drums)  
Single belt: 1-inch or 2-inch (25.4 or 50.8 mm)  
Belt length: 6", 12", 18", 24" (153, 305, 458, 610 mm)  
Capacity: 1 GPH - 1" belt (3.81 LPH)  
2 GPH - 2" belt (5.71 LPH)

## Specifications

- Oil Removal Rate** 12 gph (45.4 lph) with 4 in. (10 cm) wide belt  
6 gph (22.8 lph) with 2 in. (5 cm) wide belt  
3 gph (11.4 lph) with 1 in. (2.5 cm) wide belt  
(Removal rate is based on 30 weight oil in water.)
- Motor** Fractional hp gear motor, 115VAC, 60 Hz
- Belt Width** Specify 4 in. (10 cm), 2 in. (5 cm), or 1 in. (2.5 cm)
- Belt Length** User specified (See "Belt Selection" next page.)
- Belt Material** Specify corrosion-resistant steel, or specially engineered polymer. (See "Belt Selection.")
- Wiper** Nitrile standard, Viton, ceramic/UHMW hybrid, and ceramic optional. Specify wiper material based on temperature and fluid compatibility. (See "Operating Limits.")
- Mounting Method** Flat base mount with oil discharge through a 1-1/4 in. I.D. hose. See installation drawing.
- Mounting Area** See installation drawing.
- Weights<sup>1</sup>** Complete assembly with stabilizer bar, tail pulley, and steel belt:  
1 in.: average 30 lbs. (13.6 kg)  
2 in.: average 34 lbs. (15.4 kg)  
4 in.: average 36 lbs. (16.3 kg)
- Options (Specify)**
- Oil Concentrator<sup>®</sup> for virtually water-free oil discharge (See description previous page.)
  - Storage stand
  - Special belt lengths, over 5 ft. center to center
  - Stainless steel construction
  - Timer
  - Level switch
  - Pneumatic or special electric motors
  - Explosion proof

### Operating Limits

#### Wipers<sup>2</sup>

Temperature of Liquid	pH 1-5 (acidic)	pH 6-8 (neutral)	pH 9-14 (alkaline)
33°F-180°F (0.5°C-82°C)	Ceramic hybrid, CRV	Ceramic hybrid, CRV, nitrile	Ceramic hybrid, CRV, nitrile
181°F-212°F (83°C-100°C)	CRV	CRV	CRV

#### Belts<sup>2</sup>

Temperature of Liquid	pH 1-5 (acidic)	pH 6-8 (neutral)	pH 9-14 (alkaline)
33°F-140°F (0.5°C-60°C)	Elastomer	Poly, Elastomer	Poly, Elastomer
33°F-180°F (0.5°C-82°C)	Corrosion Resistant	Corrosion Resistant, Carbon Steel, Poly	Corrosion Resistant, Poly
181°F-212°F (83°C-100°C)	CR steel	Corrosion Resistant, Carbon Steel	Corrosion Resistant

**Standard Configuration** The Abanaki Tote-It is supplied with a belt guard, adjustable wiper blade assembly, skimmer belt, tail pulley, and stabilizer bar.

1. The Tote-It is UPS shippable.
2. Consult factory for recommendations covering operating conditions not listed here.

# ABANAKI® OIL SKIMMERS

**USA:** 17387 Munn Road • Chagrin Falls, Ohio 44023  
(440) 543-7400 • FAX: (440) 543-7404

**UK:** Unit 13 • Avondale Business Centre • Woodland Way • Bristol BS15 1AW  
0117 9616679 • FAX: 0117 9616687

[www.abanaki.com](http://www.abanaki.com)